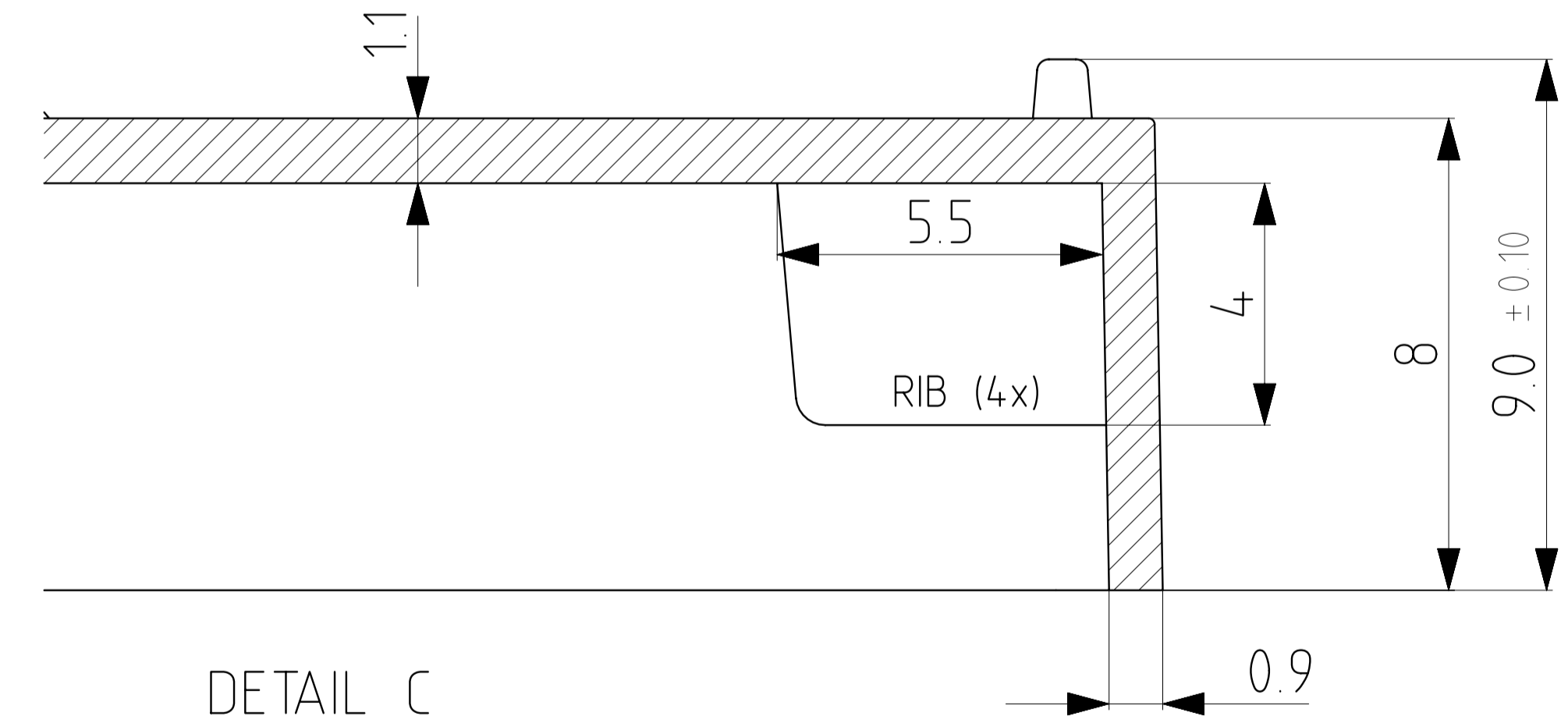
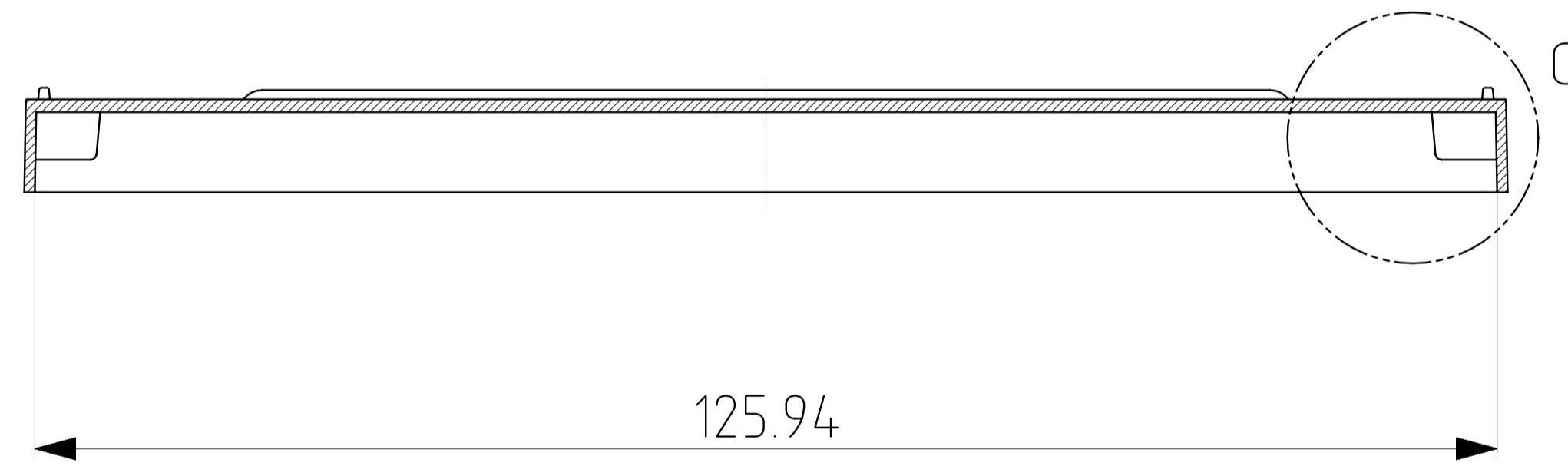
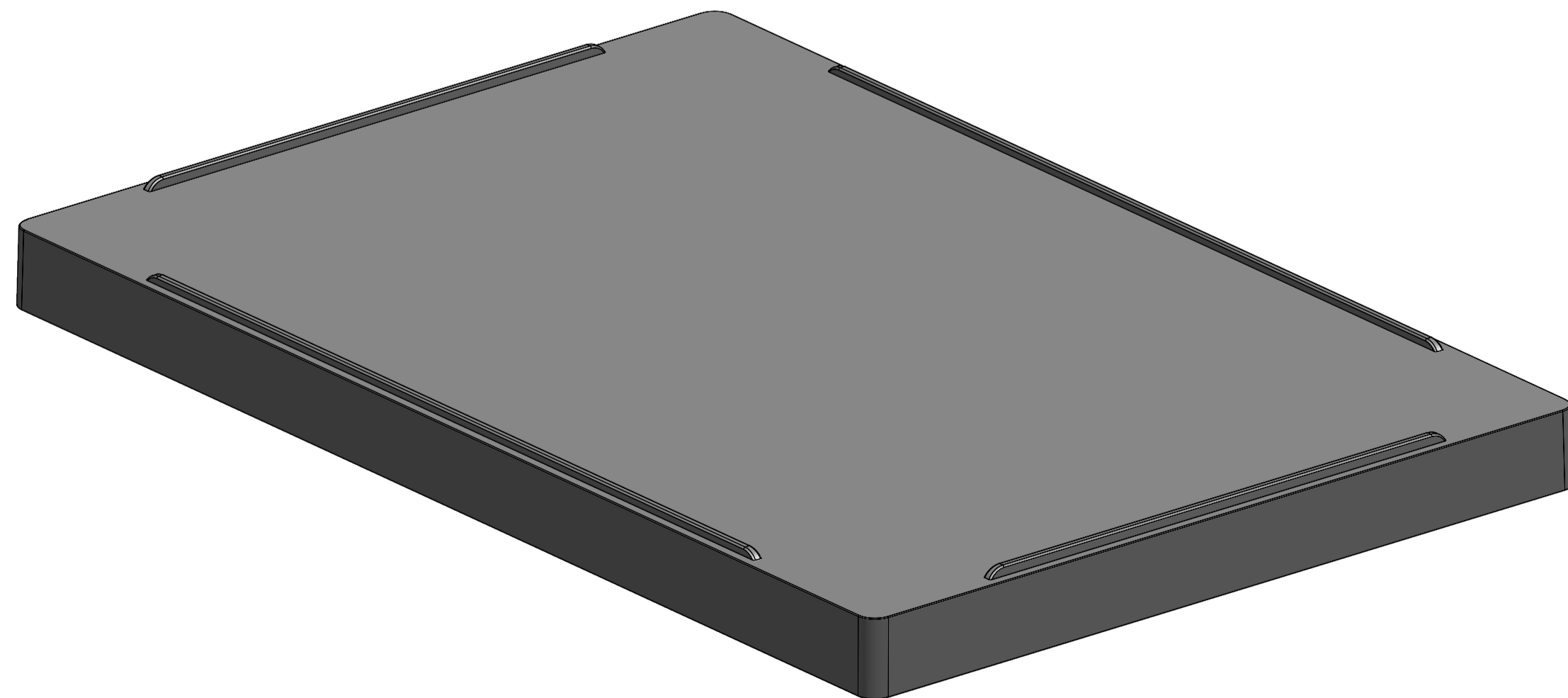


SECTION D-D

SECTION A-A

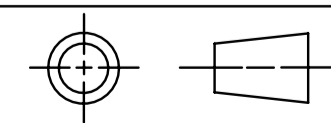


DETAIL C
SCALE 10:1



ISSUE	DATE	AMENDMENT

www.4ti.co.uk



DO NOT SCALE

IF IN DOUBT ASK

CUSTOMER	DRAWN	ZE	TITLE
CUSTOMER DRG No.	DATE	24.07.2018	NGS Lid version 7 for Framestrip adaptor MARKETING DRAWING
MATERIAL POLYSTYRENE	CHECKED	PD	DRAWING No. 4ti-0292
TOLERANCES	DATE		SHEET No. 1 OF 1
GENERAL TOLERANCES (UNLESS OTHERWISE STATED)	SCALE		ISSUE D
0 ± 0.20 0.0 ± 0.10 0.00 ± 0.05 ANGULAR ± 0°30' (ALL DIMENSIONS IN MILLIMETRES)			