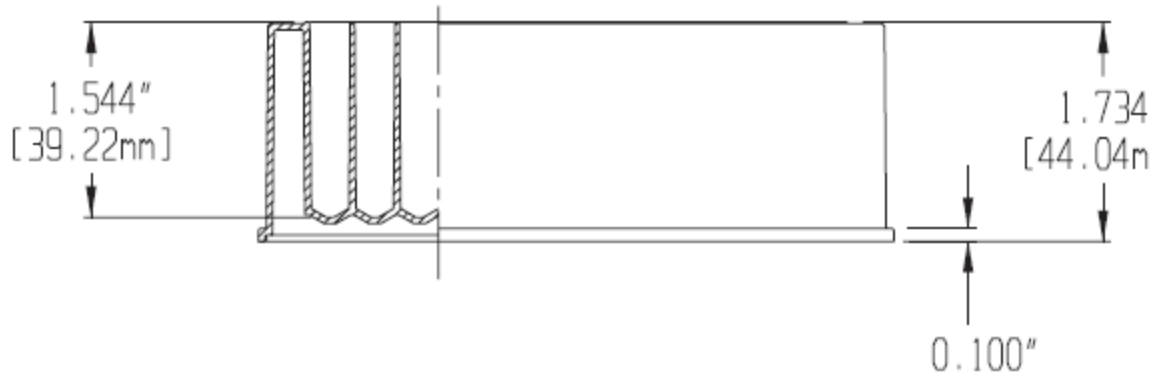
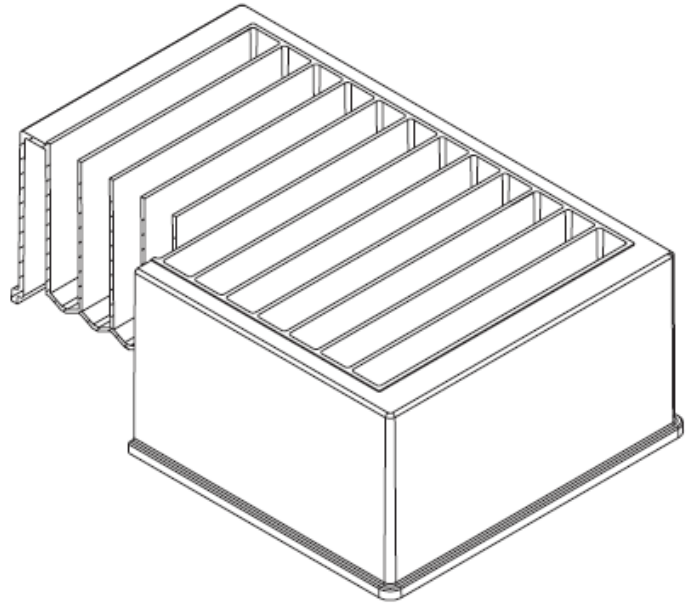
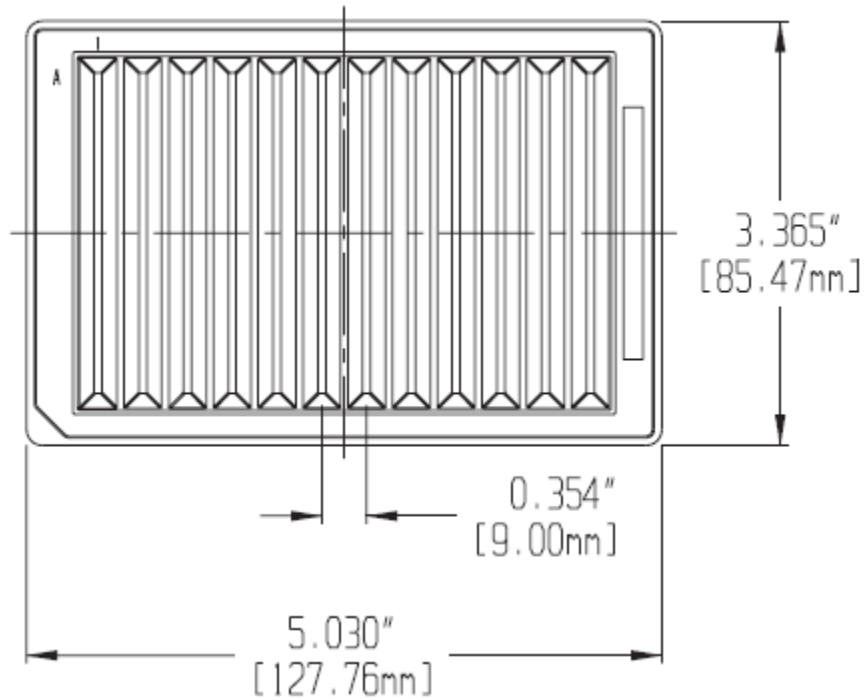
	Inspection Report number		QC – 0334	
	Title		Technical Drawing 4ti-0131	
	Revision	001	Effective date	25.02.2014
	Document owned by	QC	Page	1



NOTE:

MAX VOLUME OF COLUMN 21 ml