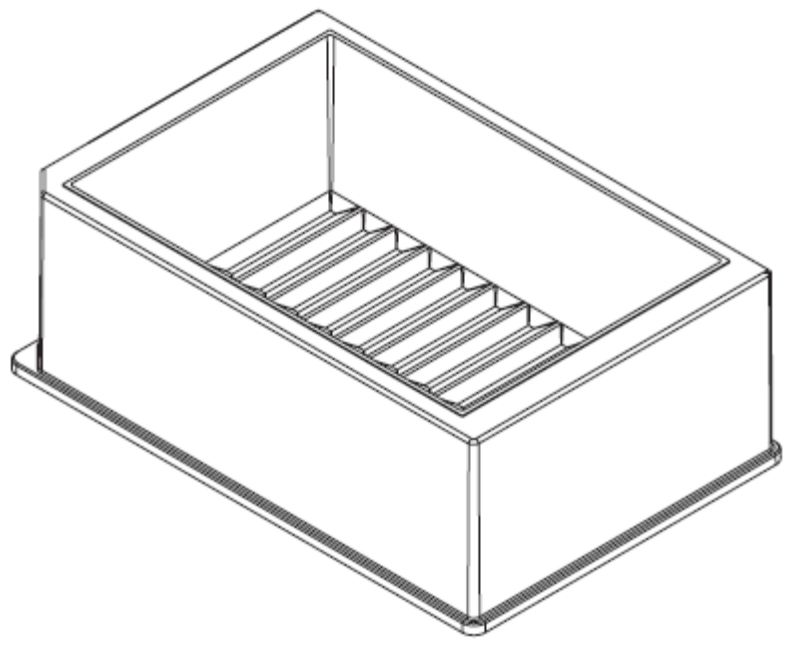
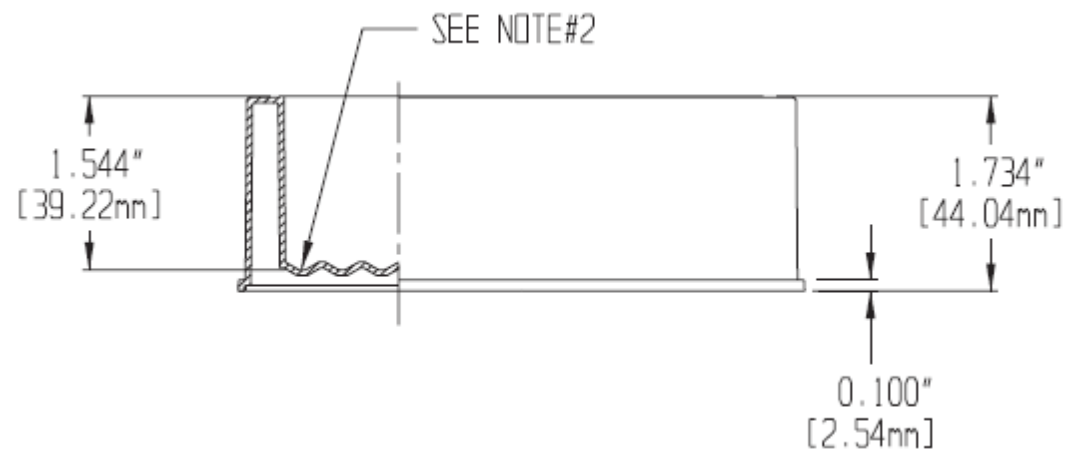
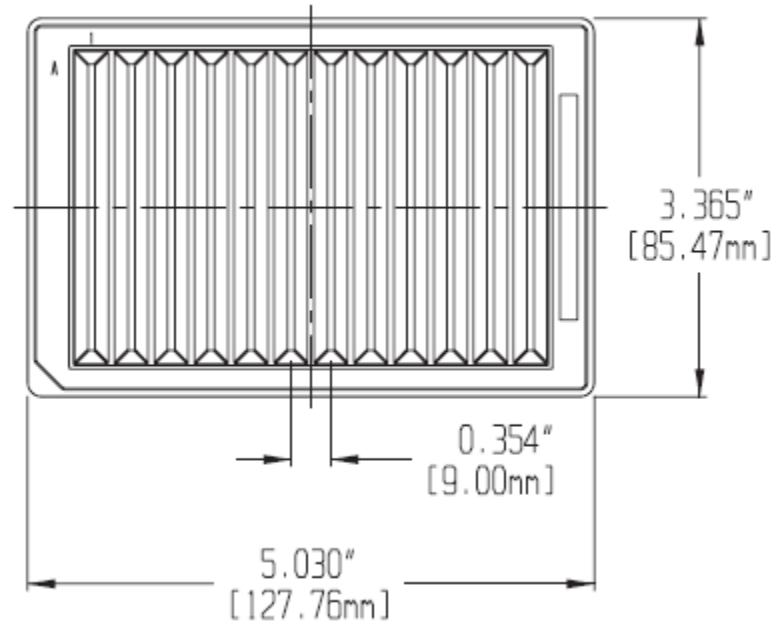
	Identification number QC - 0352	
	Title Technical Drawing 4ti-0133	
	Revision 001	Effective date 22/07/2014
	Document owned by QC	Page 1



- NOTES:
1. MAX VOLUME OF RESERVOIR 290 ml
 2. MAX VOLUME OF COLUMN 0.540 ml