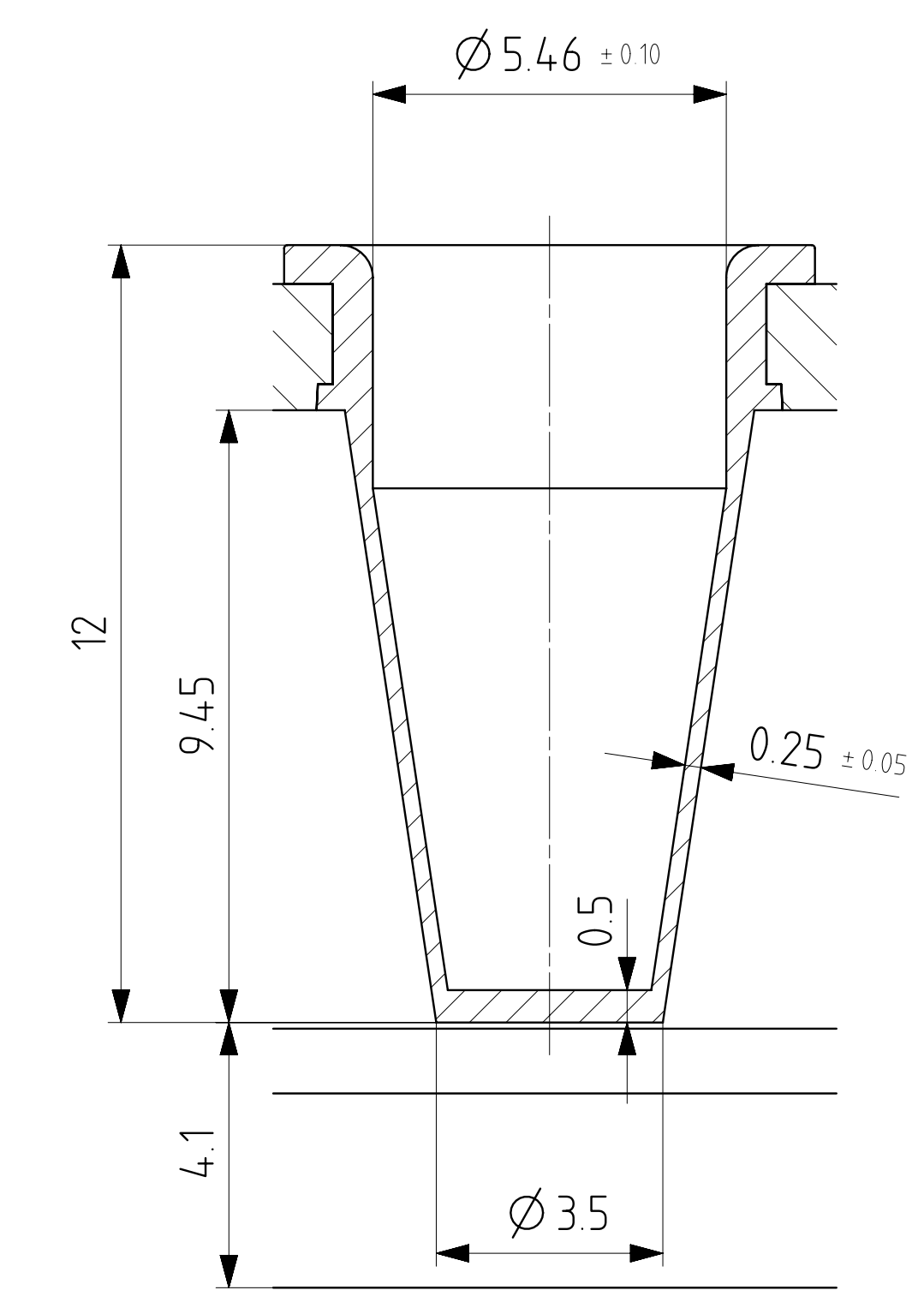


SECTION C-C



VIAL FORM 96pos.  
SCALE 10:1

ISSUE	DATE	AMENDMENT	ISSUE	DATE	AMENDMENT
A	05.07.2018	Original drawing			



DO NOT SCALE  
IF IN DOUBT ASK

CUSTOMER	DRAWN	ZE
CUSTOMER DRG. No.	DATE	05.07.2018
MATERIAL Frame: PC, Tubes: PP	CHECKED	JB
TOLERANCES	DATE	
GENERAL TOLERANCES (UNLESS OTHERWISE STATED)	SCALE	
0 ±0.20 0.05 ±0.05 0.10 ±0.05 ANGULAR ±0.30° (ALL DIMENSIONS IN MILLIMETRES)		

TITLE	0960 standard frame with optical tubes	
	MARKETING DRAWING	
DRAWING No.	4ti-0970	
SHEET No.	1 OF 1	ISSUE A