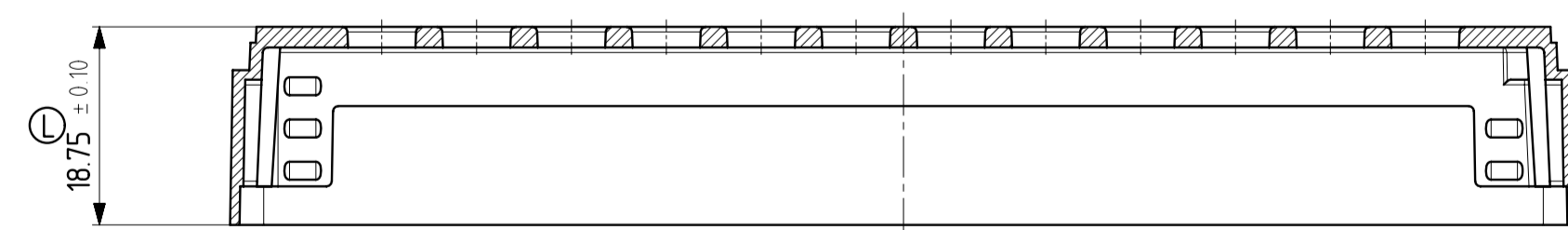
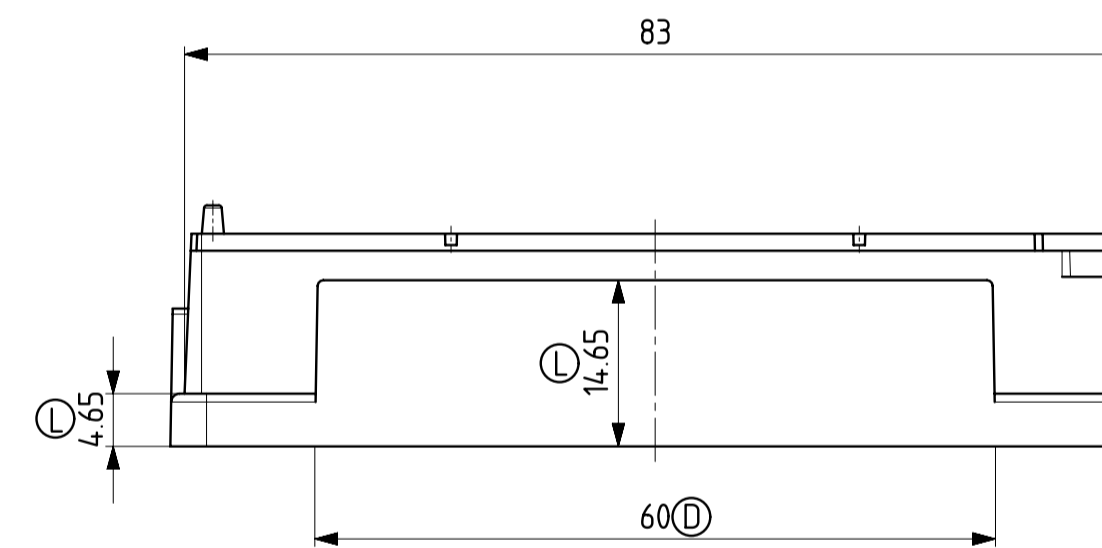
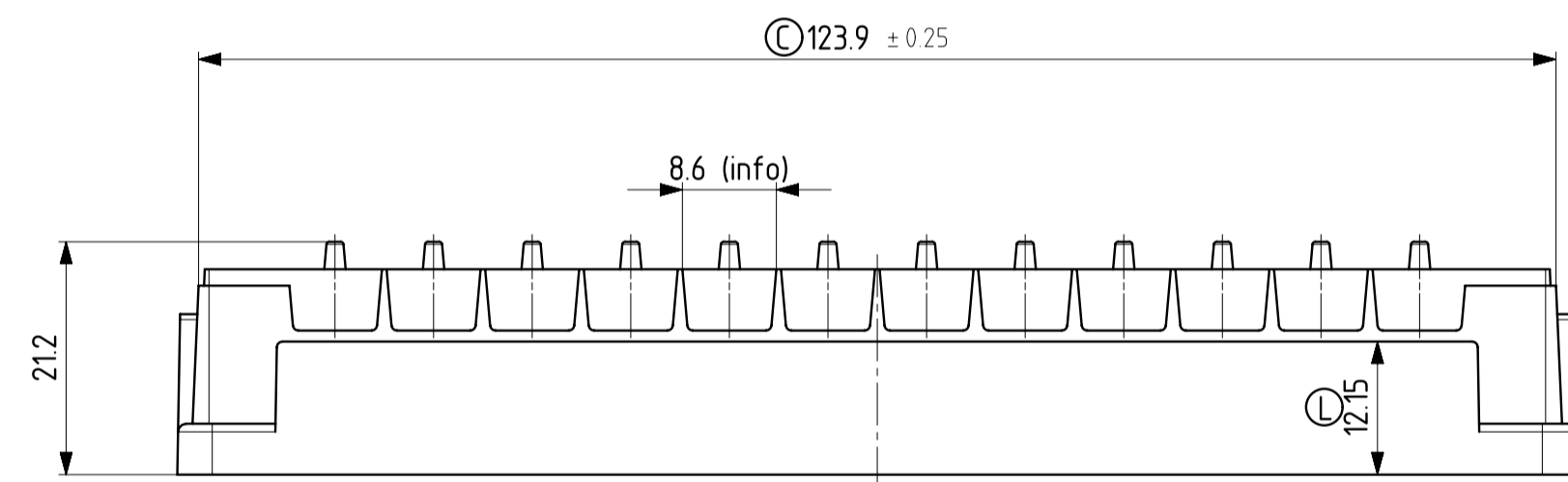


SECTION B-B



SECTION A-A

ISSUE	DATE	AMENDMENT



www.4ti.co.uk

DO NOT SCALE
IF IN DOUBT ASK

CUSTOMER	SIGNATURE	DRAWN	ZE
CUSTOMER DRG No.	ISSUE	DATE	02.08.2018
MATERIAL	Polycarbonate	CHECKED & SIGNATURE	JB
TOLERANCES	0 ±0.20 0.0 ±0.10 0.00 ±0.05 ANGULAR ±0°30'	DATE	
GENERAL TOLERANCES (UNLESS OTHERWISE STATED)	(ALL DIMENSIONS IN MILLIMETRES)	SCALE	

TITLE	Framestrip adaptor MARKETING DRAWING
DRAWING No.	4ti-0371
SHEET No.	1 OF 1
ISSUE	L