

This drawing and/or any technical information relating to it issued in strict confidence and may not be reproduced or used for manufacture without written permission. Sign recall of which it is the users responsibility to seek confirmation of any dimensions and production tolerances.

A0

A B C D E F G H I

1

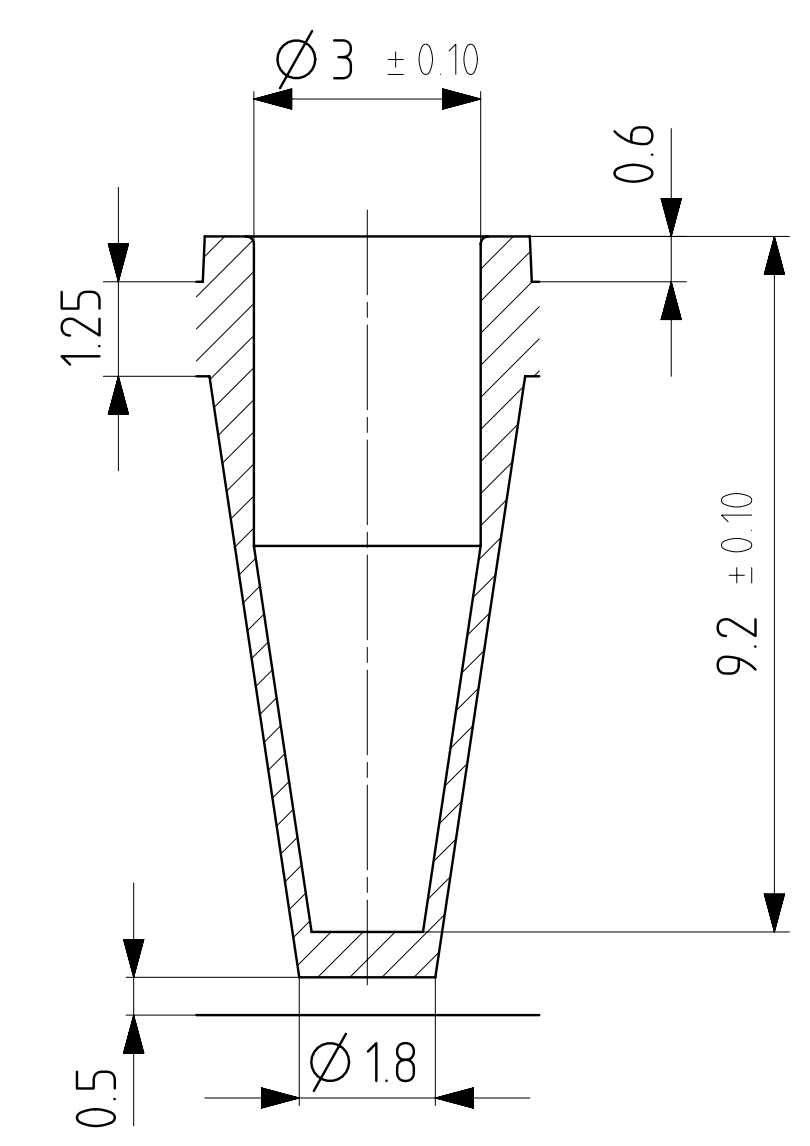
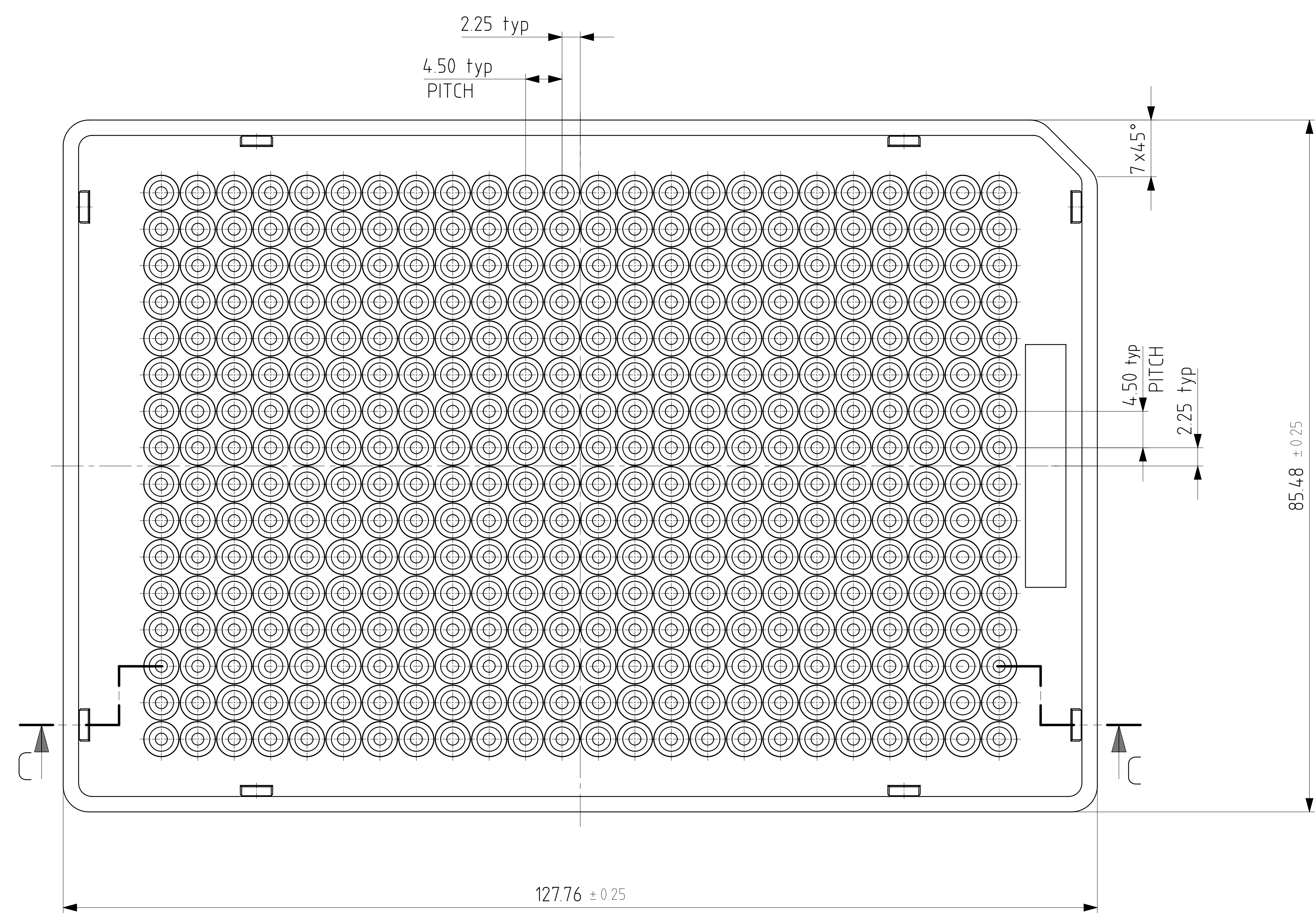
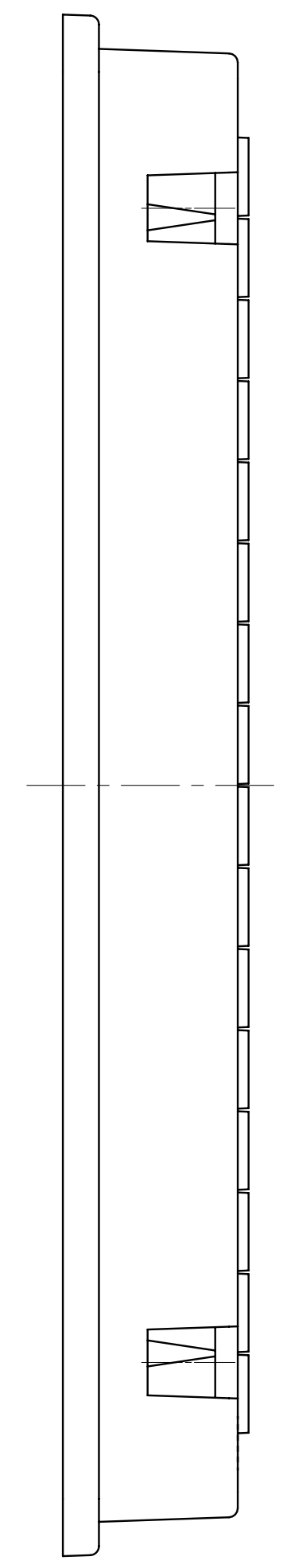
2

3

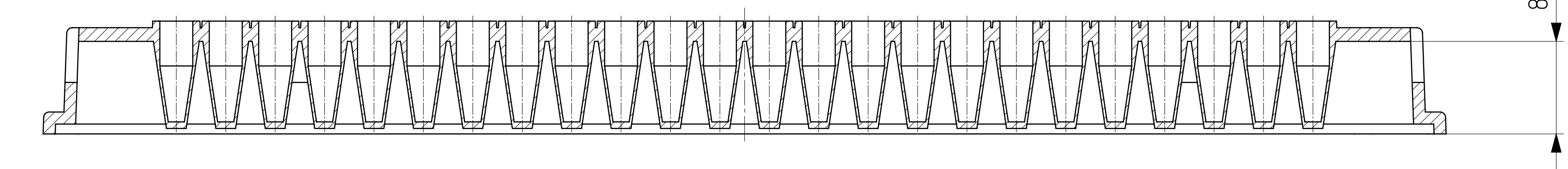
4

5

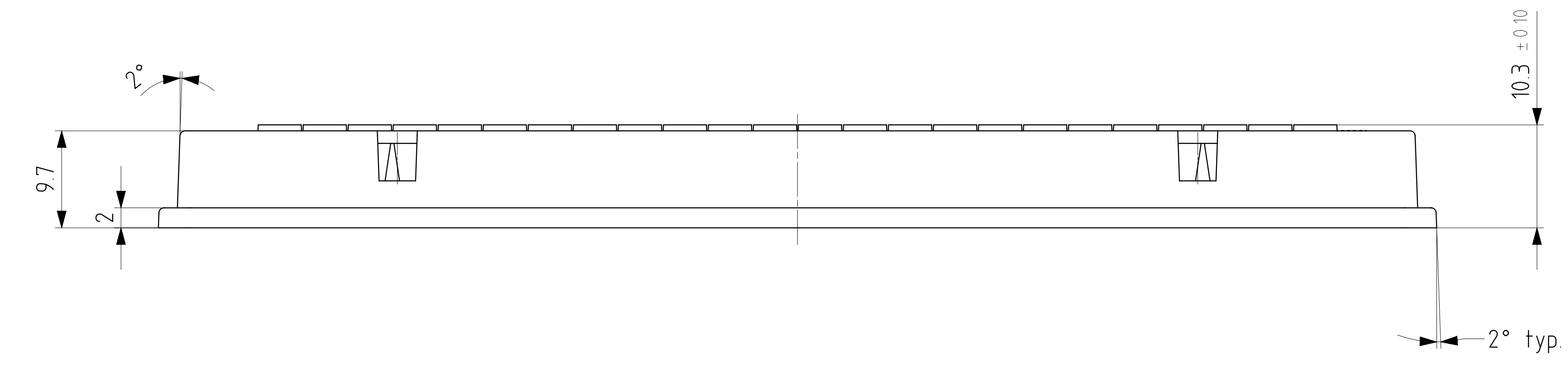
6



VIAL FORM 384 pos.
SCALE 10:1



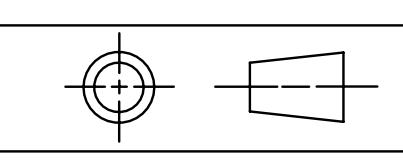
SECTION C-C



ISSUE	DATE	AMENDMENT	ISSUE	DATE	AMENDMENT



www.titude.com



DO NOT SCALE

IF IN DOUBT ASK

CUSTOMER	CUSTOMER DRG. No.	ISSUE	DATE
MATERIAL	POLYPROPYLENE		
TOLERANCES	0 ±0.10 0.0 ±0.05 0.00 ±0.02 ANGULAR ±0.30° (ALL DIMENSIONS IN MILLIMETRES)		

DRAWN	ZE
CHECKED	EF
DATE	18.09.2018
SCALE	

TITLE	384 Well Skirted PCR Plate Marketing drawing	
DRAWING No.	4ti-1384	
SHEET No.	1 OF 1	ISSUE E