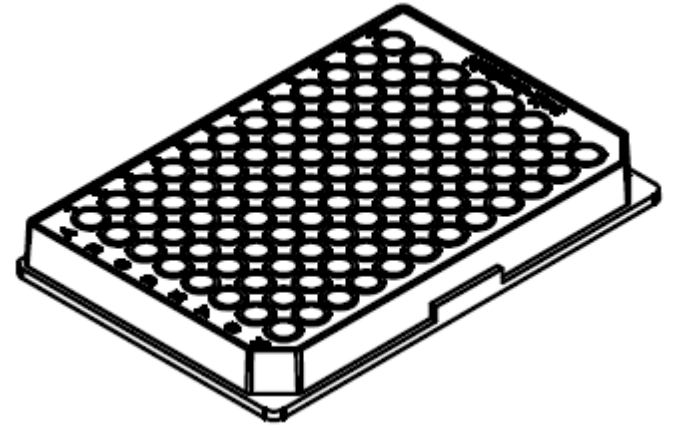
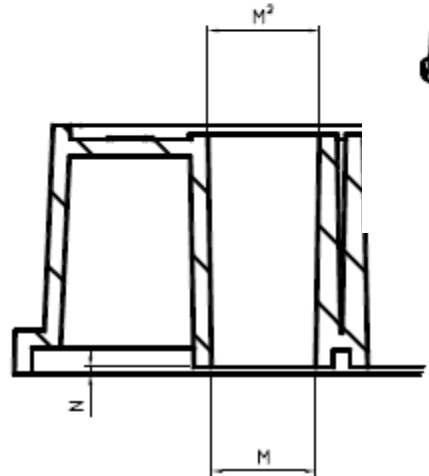
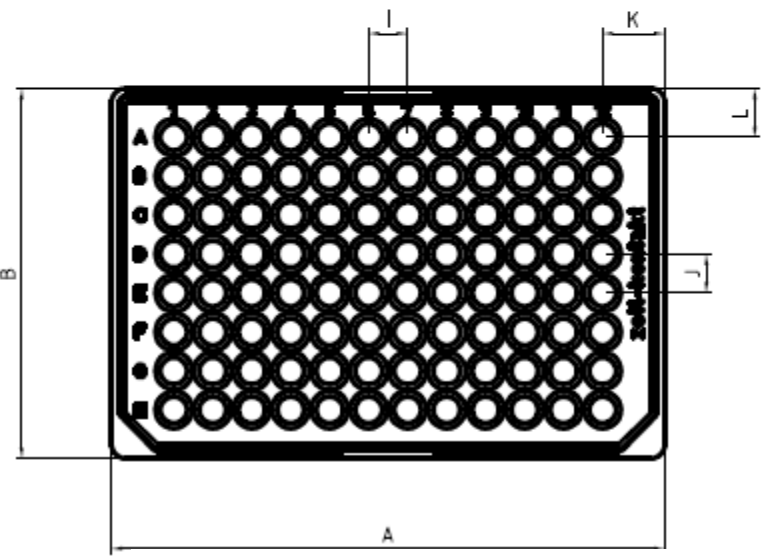
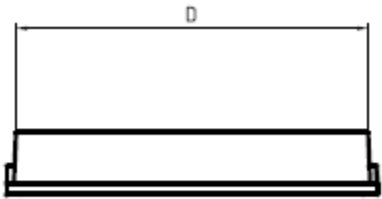
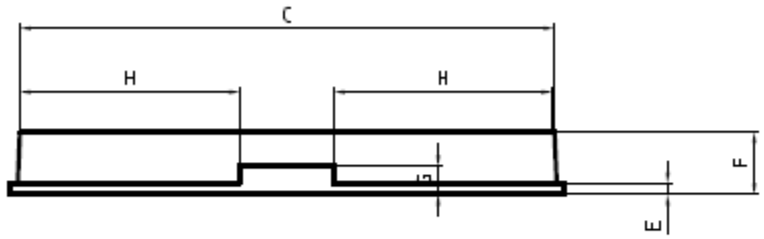
	<b>Identification Number</b> QC – 0216	
	<b>Title</b> Technical Drawing 4ti-0273	
	<b>Revision</b> 002	<b>Effective Date</b> 07/02/2014
	<b>Document Owner</b> QC	<b>Page</b> 1



	A	B	C	D	E	F	G	H	I	J	K	L	M	M <sup>2</sup>	N
MM	127.76	85.48	123.3	81.2	2.5	14.35	6.5	50.3	9.0	9.0	14.38	11.24	φ6.0	φ6.5	0.4
INCH	5.030	3.365	4.854	3.197	0.098	0.565	0.256	1.98	0.354	0.354	0.566	0.443	φ0.236	φ0.256	0.016