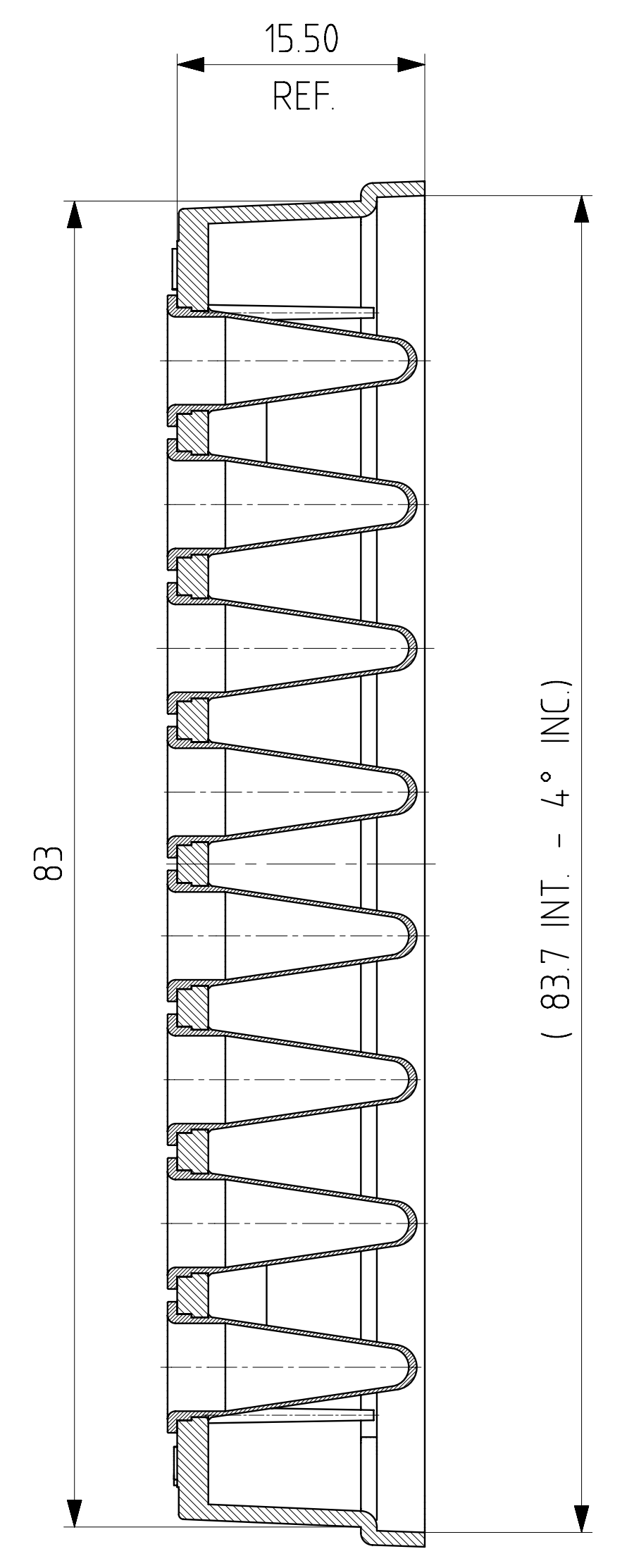
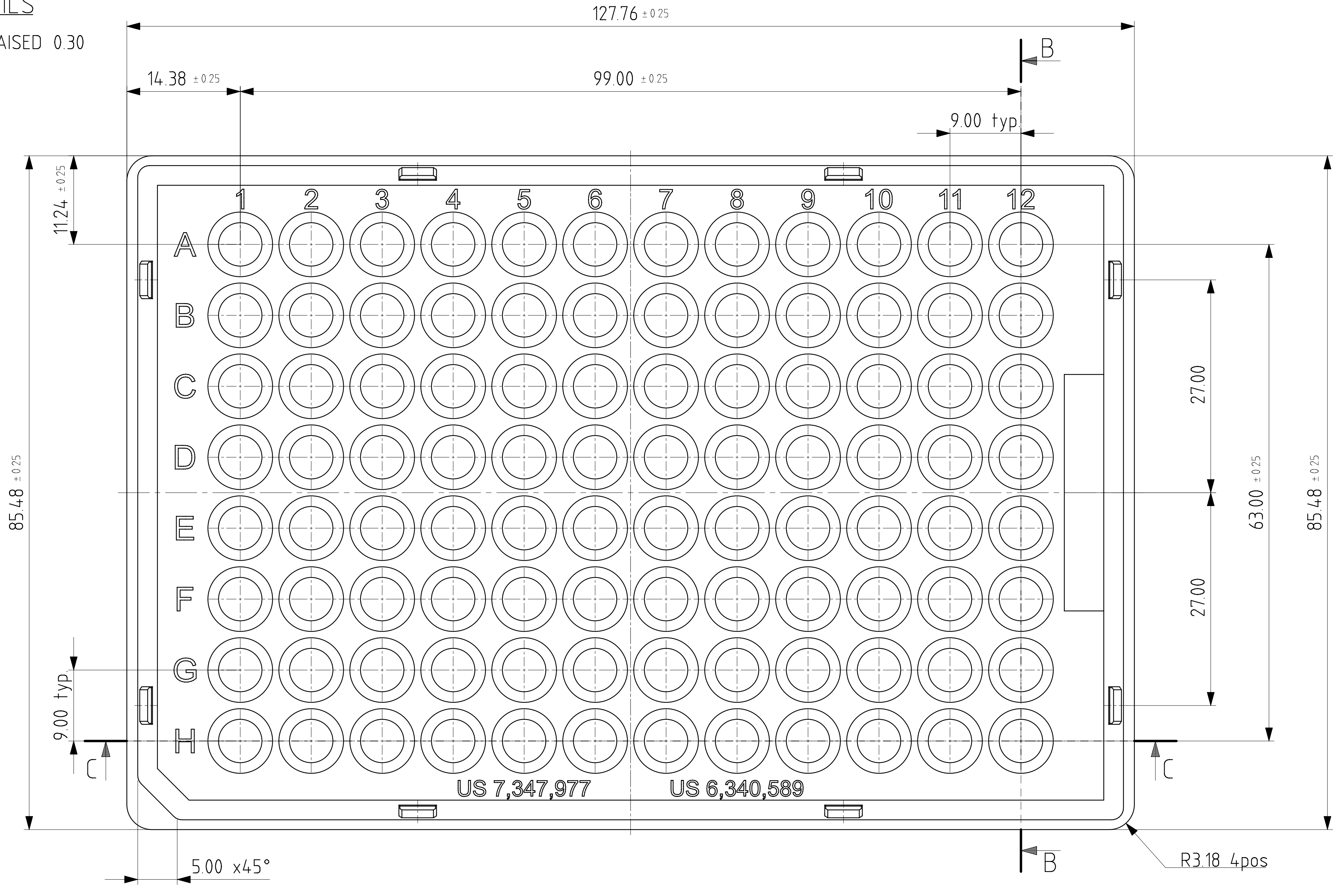


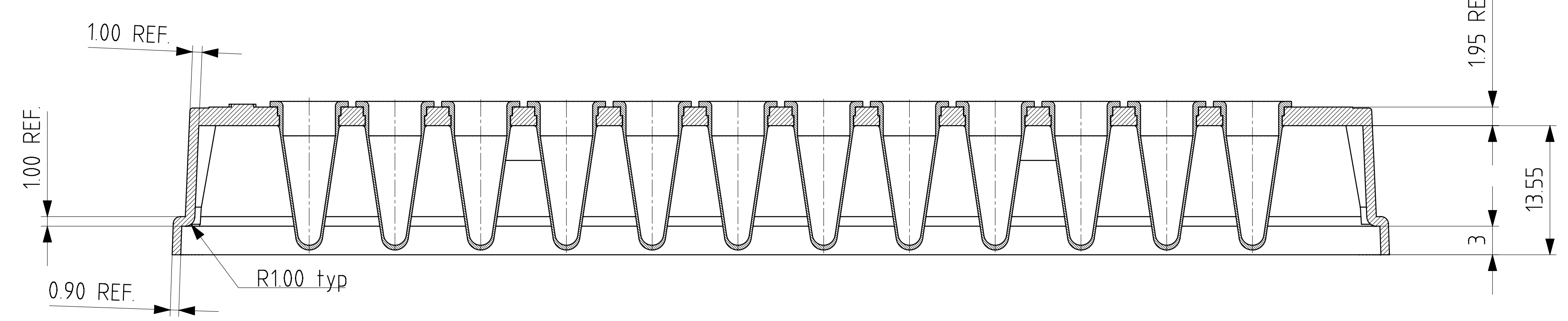
This drawing and/or technical information relating to it is issued in strict confidence and may not be reproduced or used for manufacture without written permission. Sign reveal of which it is the users responsibility to seek confirmation of any dimensions and production tolerances.

ENGRAVING DETAILS

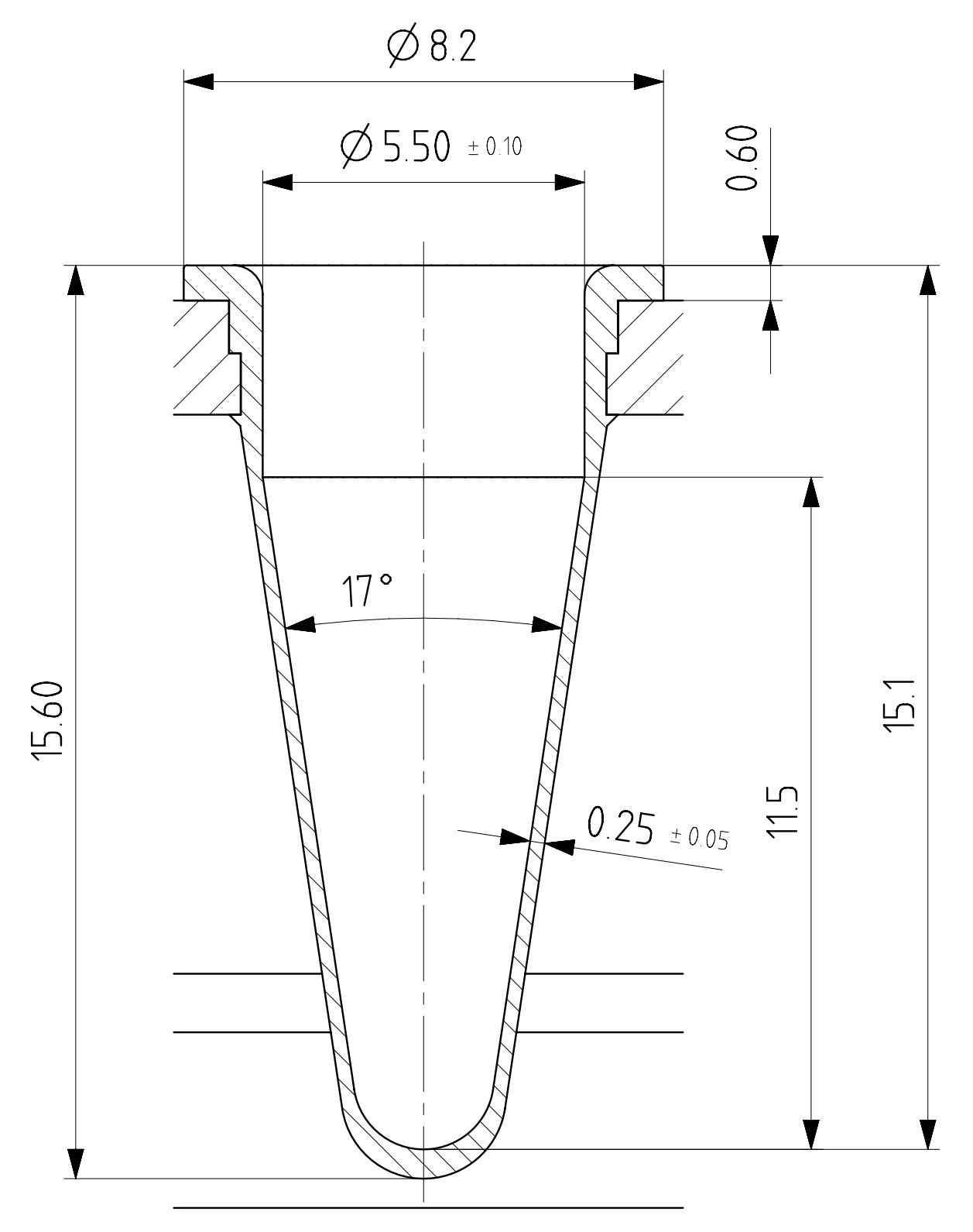
ALL CHARACTERS TO BE RAISED 0.30
NUMBERS TO BE 2.5 HIGH
LETTERS TO BE 3.0 HIGH



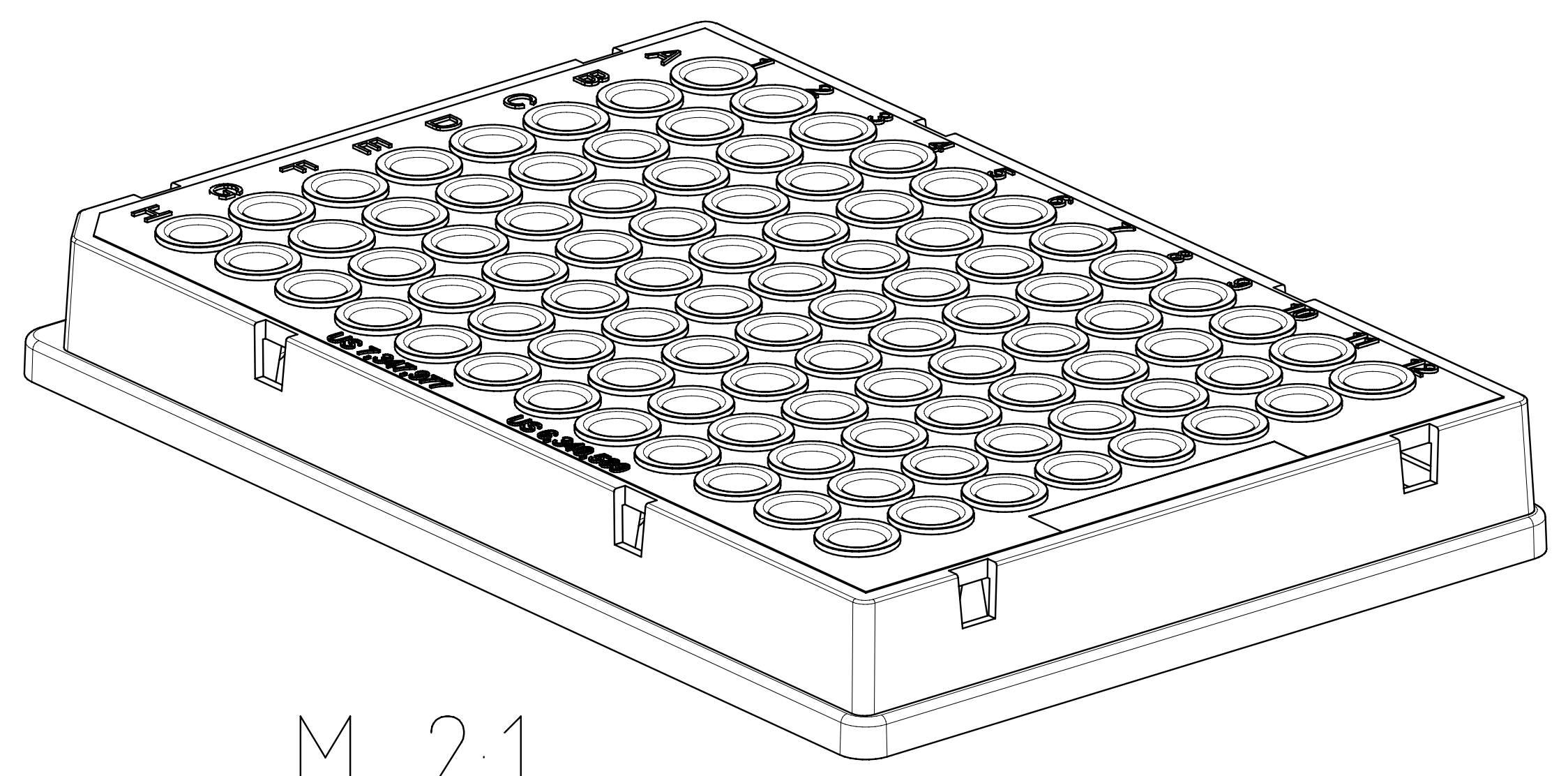
SECTION B-B



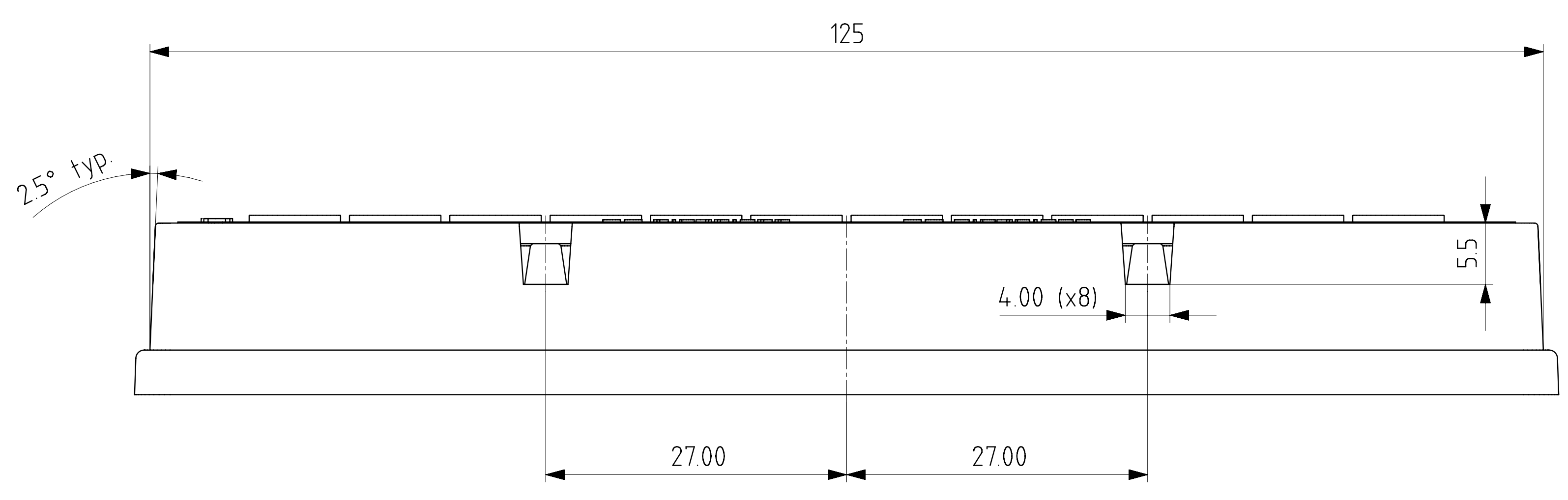
SECTION C-C



VIAL FORM 96pos.
SCALE 10:1



M 2:1



Code	Description	Plates/Case
4ti-0960	FrameStar® 96 well skirted PCR plate, clear wells, purple frame	50
4ti-0960/B	FrameStar® 96 well skirted PCR plate, clear wells, blue frame	50
4ti-0960/C	FrameStar® 96 well skirted PCR plate, clear wells, clear frame	50
4ti-0960/G	FrameStar® 96 well skirted PCR plate, clear wells, green frame	50
4ti-0960/R	FrameStar® 96 well skirted PCR plate, clear wells, red frame	50
4ti-0960/X	FrameStar® 96 well skirted PCR plate, clear wells, black frame	50
4ti-0961	FrameStar® 96 well skirted PCR plate, white wells, black frame	50
4ti-0960/0565	Combination of FrameStar® 96 well purple frame (4ti-0960) + Q-stick seal (4ti-0565)	50 + 50

ISSUE	DATE	AMENDMENT	ISSUE	DATE	AMENDMENT



DO NOT SCALE
IF IN DOUBT ASK

CUSTOMER
CUSTOMER DRG No
MATERIAL: FRAME: Polycarbonate, TUBES: Polypropylene
TOLERANCES
GENERAL TOLERANCES (UNLESS OTHERWISE STATED)
0 ±0.20
0.05 ±0.05
ANGULAR ±0.30°
(ALL DIMENSIONS IN MILLIMETRES)

DRAWN ZOLTAN E
DATE 14.10.2014
CHECKED JAMES B.
DATE
SCALE

TITLE
FrameStar® 96 Skirted
Marketing drawing
DRAWING No 4ti-0960
SHEET No 1 OF 1
ISSUE E