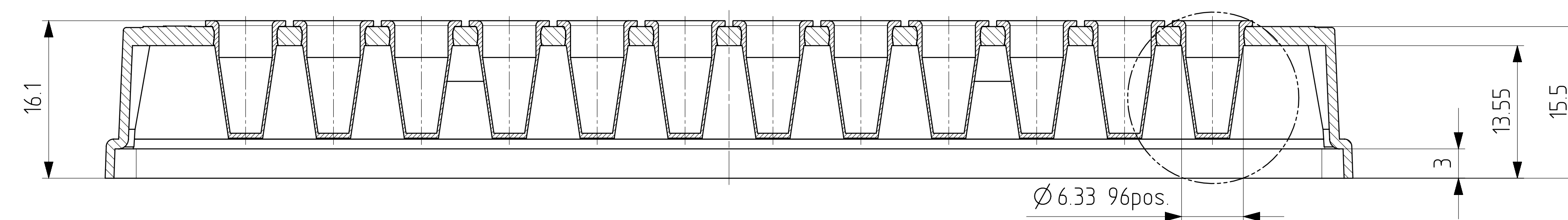
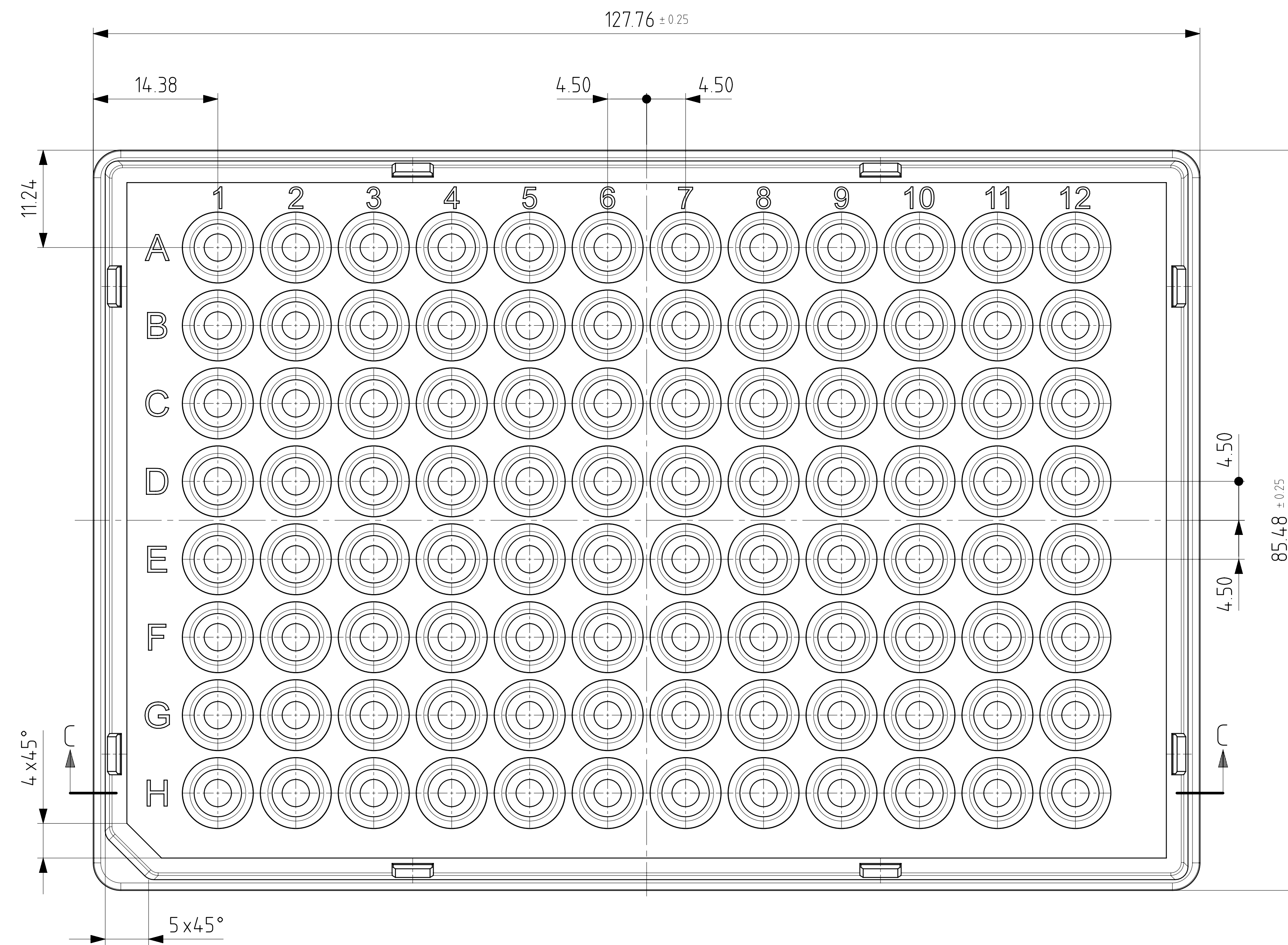
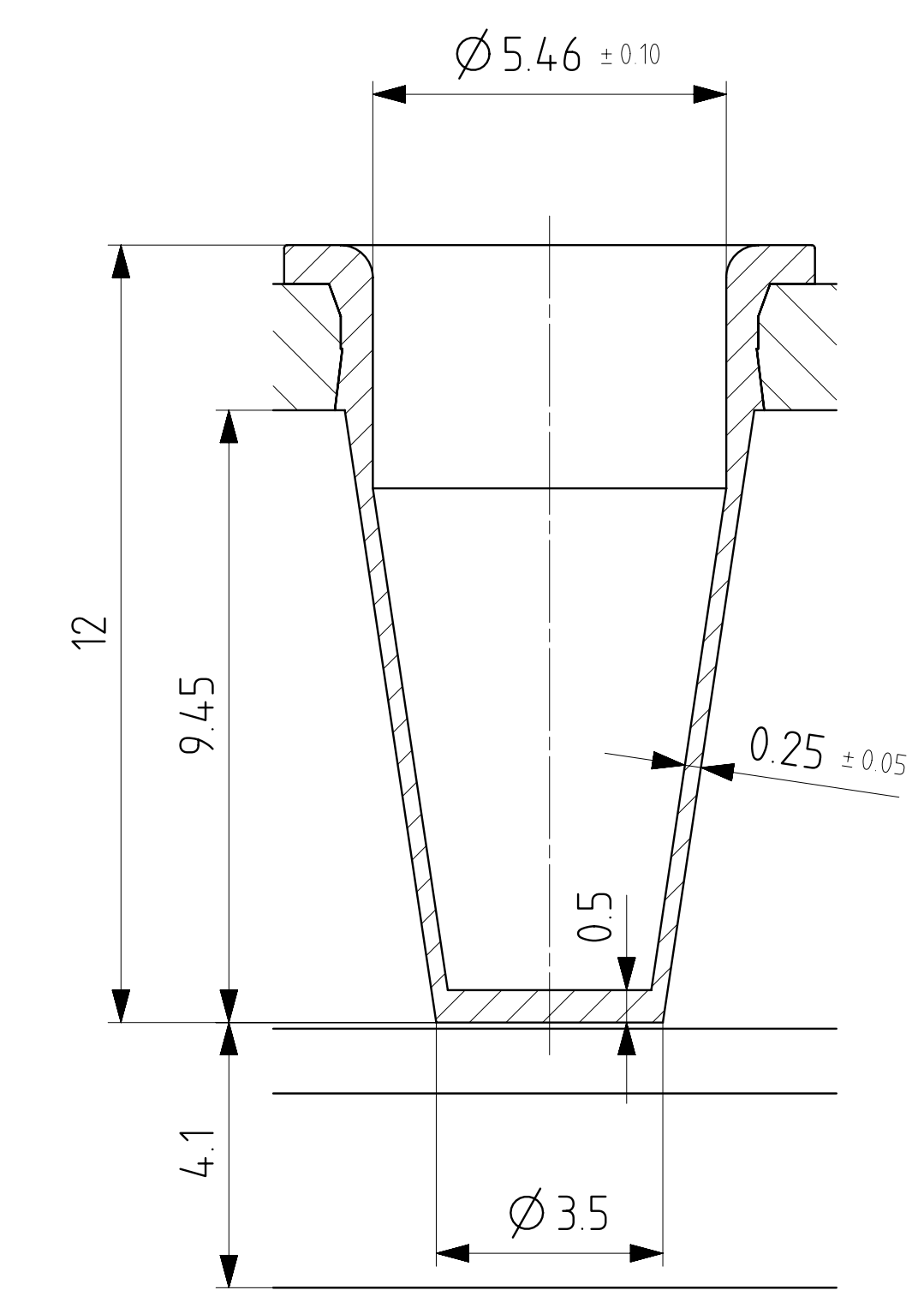


This drawing and/or any technical information relating to it is issued in strict confidence and may not be reproduced or used for manufacture without written permission. Sign recall of which it is the users responsibility to seek confirmation of any dimensions and production tolerances.



SECTION C-C



VIAL FORM 96pos.
SCALE 10:1

ISSUE	DATE	AMENDMENT	ISSUE	DATE	AMENDMENT
A	05.07.2018	Original drawing			



DO NOT SCALE
IF IN DOUBT ASK

CUSTOMER	DRAWN	ZE
CUSTOMER DRG No	DATE	05.07.2018
MATERIAL Frame: PC, Tubes: PP	CHECKED	JB
TOLERANCES	DATE	
GENERAL TOLERANCES (UNLESS OTHERWISE STATED)	SCALE	
0 ±0.20 0.05 ±0.05 0.10 ±0.05 ANGULAR ±0.30° (ALL DIMENSIONS IN MILLIMETRES)		

TITLE	Random Access frame with optical tubes
	MARKETING DRAWING
DRAWING No	4ti-0970/RA
SHEET No	1 OF 1
ISSUE	A