

<b>Description</b>	New stage for IntelliXcap line
<b>Creation Date</b>	28.06.2021
<b>Product Change Notice Number</b>	NOC 2105
<b>Revision</b>	1.0
This Product Change Notice supersedes the following documents:	N/A

### 1. Description and Reason for Change

It is with great pleasure that we announce the release of a new standard stage for the IntelliXcap line, designed to work as well as an Extended Stage for integrated environments, in case of requirement (optional accessory; Product Code: 46-8112).

Contrary to before, the upgrade to an Extended version of the standard stage is **now possible on the field** and can be done by a qualified Brooks Life Sciences representative upon demand. Moreover, when activated, the **maximum extension of the stage is now 203mm while before it was 207mm**.

This change will be effective as of **July 1<sup>st</sup>, 2021**, and will affect all IntelliXcap units with Serial Numbers equal or superior to:

- **IntelliXcap™ 96: 46-8012-212103-25**
- **IntelliXcap™ 48: 46-8011-202103-04**
- **IntelliXcap™ 24: 46-8010-202103-05**
- **Not applicable to IntelliXcap AcoustiX (46-8014)**

### 2. Communication Distribution – Need to know list

Customer's Procurement	Sales Managers to inform
Customer's End User	Sales Managers to inform
Customer's Service Team	Sales Managers to inform
Brooks Life Sciences Service Team	Product Management to inform
Brooks Life Sciences Customer Care Team	Product Management to inform

### 3. Classification of Change

Customer Notification	Yes
Information Only	

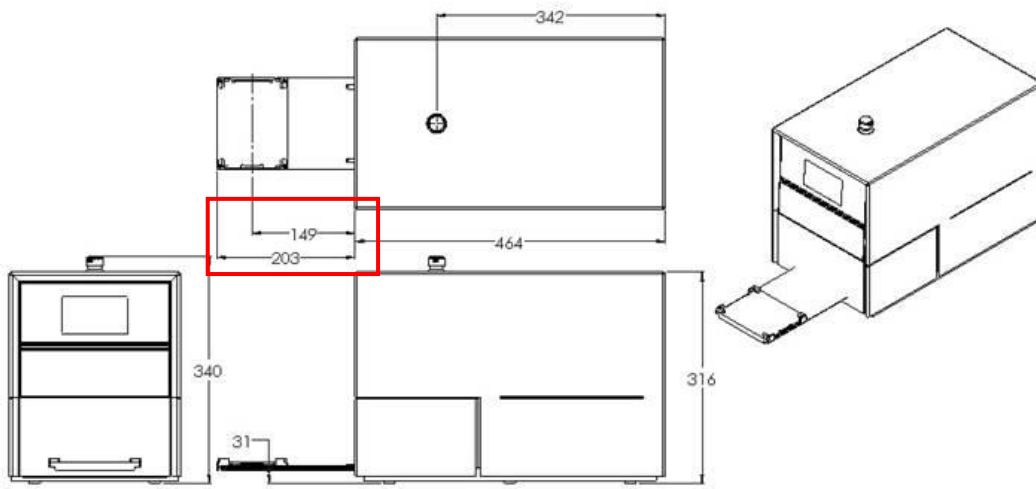
### 4. Impact of Change

The new standard stage for IntelliXcap will:

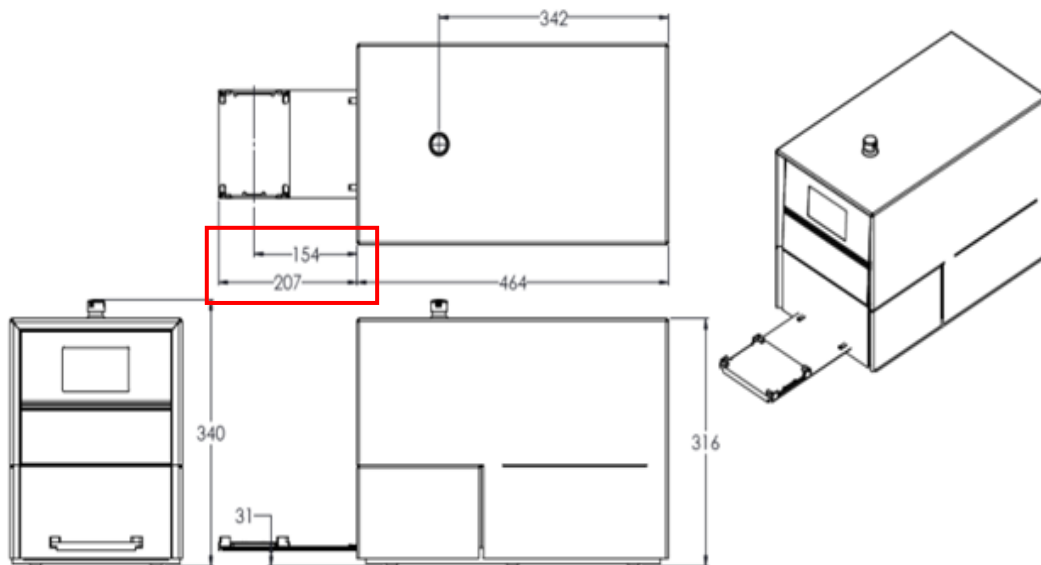
- Allow for a field upgrade, while before the rework had to be done at factory site during setup and testing.  
All IntelliXcap units that are equipped with this new stage will be eligible to be upgraded on the field upon demand (the extended stage is an optional accessory) and can have the extended stage activated.

The units that are equipped with the new part are IntelliXcaps with Serial Numbers equal or superior to:

- IntelliXcap™ 96: 46-8012-212103-25
  - IntelliXcap™ 48: 46-8011-202103-04
  - IntelliXcap™ 24: 46-8010-202103-05
  - Not applicable to IntelliXcap AcoustiX (46-8014)
- Have a different maximum length:
    - **NEW VERSION** of the IntelliXcap stage:



- **PREVIOUS VERSION** of the IntelliXcap stage:



## 5. Affected Products

This Notice affects Part Numbers listed below:

PART NUMBER	DESCRIPTION
46-8012	ASSY,INTELLIXCAP,96 CHAN,CAP,DECAP,MECHANICAL
46-8011	ASSY,INTELLIXCAP,48 CHAN,CAP,DECAP,MECHANICAL
46-8010	ASSY,INTELLIXCAP,24 CHAN,CAP,DECAP,MECHANICAL
46-8112	UPGRADE,INTELLIXCAP,96,EXTENDED STAGE,AUTOMATION

All product codes listed above will now comply with the new specifications, detailed on sections 4 and 8 of this document.

This modification is not backwards compatible and therefore, no upgrade to the new stage will be possible on the field.

## 6. Replacement Products

Not applicable.

This change will not affect availability of any of the product codes mentioned in this document.

## 7. Recommended Action

Please continue to order product code 46-8112 (UPGRADE, INTELLIXCAP,96, EXTENDED STAGE,AUTOMATION) in order to have the extended stage option enabled in your decapper. In case of new orders, the new stage will automatically be fitted in.

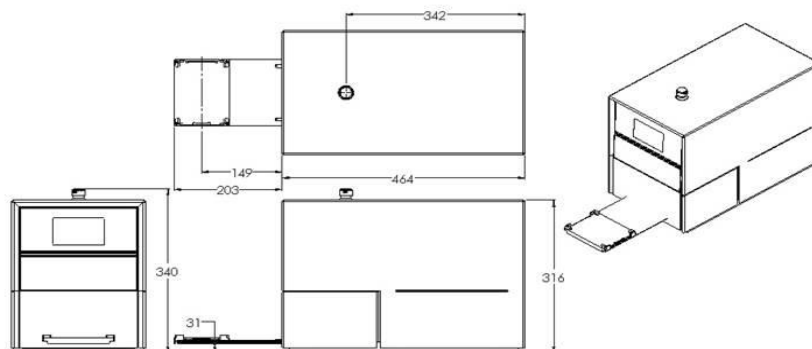
In case of an existing unit, please verify the Serial Number of your device to ensure compatibility before enquiring about an upgrade to an extended stage.

The field upgrade to an extended stage is only possible with units that have been manufactured with the latest stage requirements, i.e.: equipment with Serial Numbers equal or superior to:

- **IntelliXcap™ 96: 46-8012-212103-25**
- **IntelliXcap™ 48: 46-8011-202103-04**
- **IntelliXcap™ 24: 46-8010-202103-05**
- ***Not applicable to IntelliXcap AcoustiX (46-8014)***

## 8. Specification of replacement products

The new stage is installed during manufacturing and it has now the following dimensions:



**9. Timeframe for implementation**

Effective from July 1<sup>st</sup>,2021.

**10. For more information please contact Brooks Life Sciences**

If you require further information, please contact your local Account or Distribution Manager, or call our Customer Service team on:

<b>North America</b>	+1.800.379.7221
<b>Europe</b>	+44.0.161.777.2000
<b>Japan</b>	+81.45.4477.5570 (ext. 24)

*Thank you.*